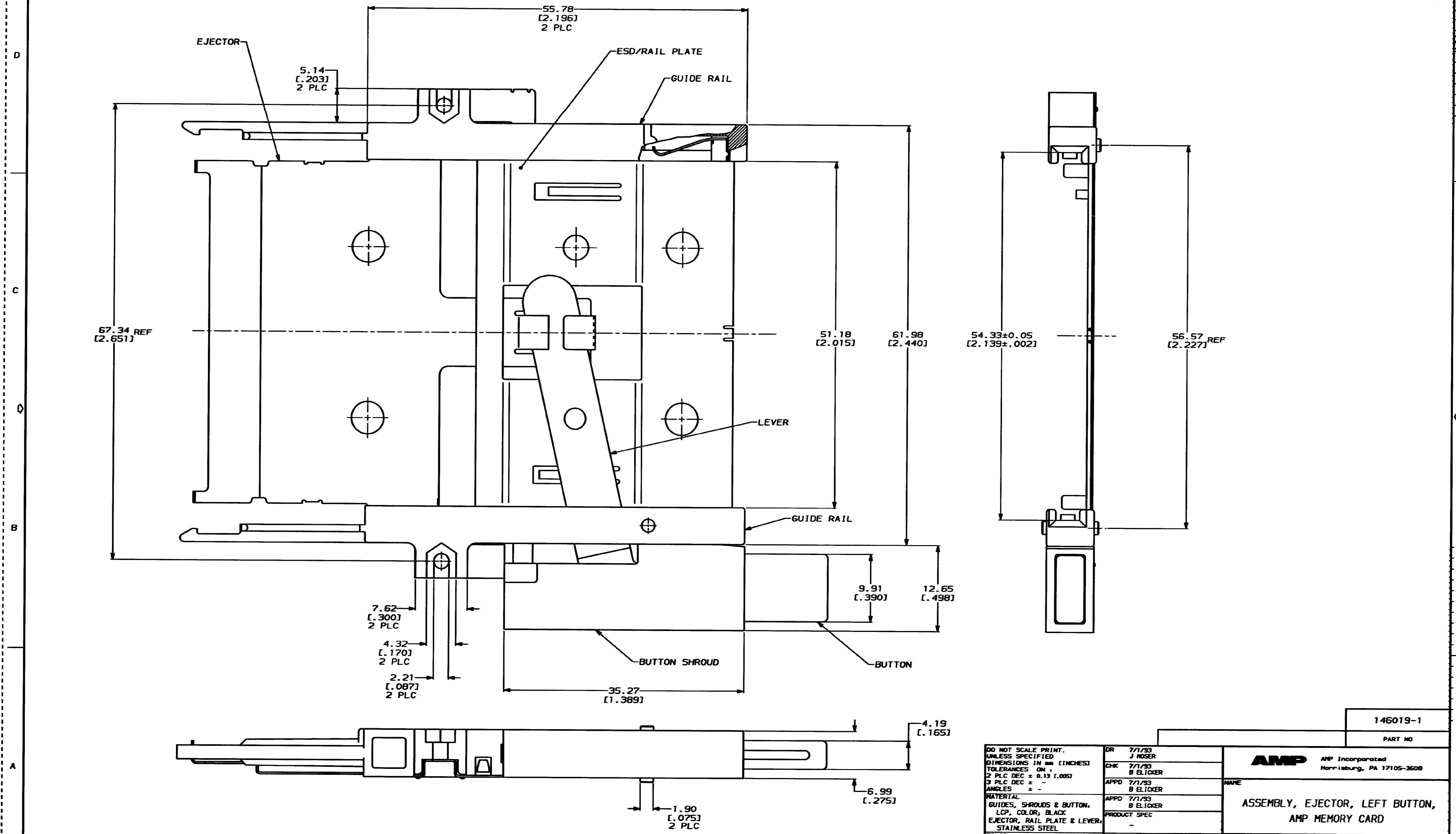


THIS DRAWING IS UNPUBLISHED. RELEASED FOR PUBLICATION. BY AMP INCORPORATED. ALL INTERNATIONAL RIGHTS RESERVED.

LIC		DIST		REV		ZONE		LTR		REVISIONS		DATE	APPD
AD	39									0	RELEASED PER PPR	7/1/93	BE



THIS DRAWING IS A CONTROLLED DOCUMENT FOR AMP INCORPORATED. IT IS SUBJECT TO CHANGE AND THE CONTROLLING ENGINEERING ORGANIZATION SHOULD BE CONTACTED FOR THE LATEST REVISION.

DO NOT SCALE PRINT. UNLESS SPECIFIED DIMENSIONS IN mm [INCHES] TOLERANCES ON: 2 PLC DEC ± 0.13 [.005] 3 PLC DEC ± - ANGLES ± - MATERIAL GUIDES, SHROUDS & BUTTON, LCP, COLOR, BLACK EJECTOR, RAIL PLATE & LEVER, STAINLESS STEEL FINISH -

DR	7/1/93	J NOSER
CHK	7/1/93	B ELICKER
APPD	7/1/93	B ELICKER
APPD	7/1/93	B ELICKER
PRODUCT SPEC	-	
APPLICATION SPEC	-	
WEIGHT	17.1 GRAMS	

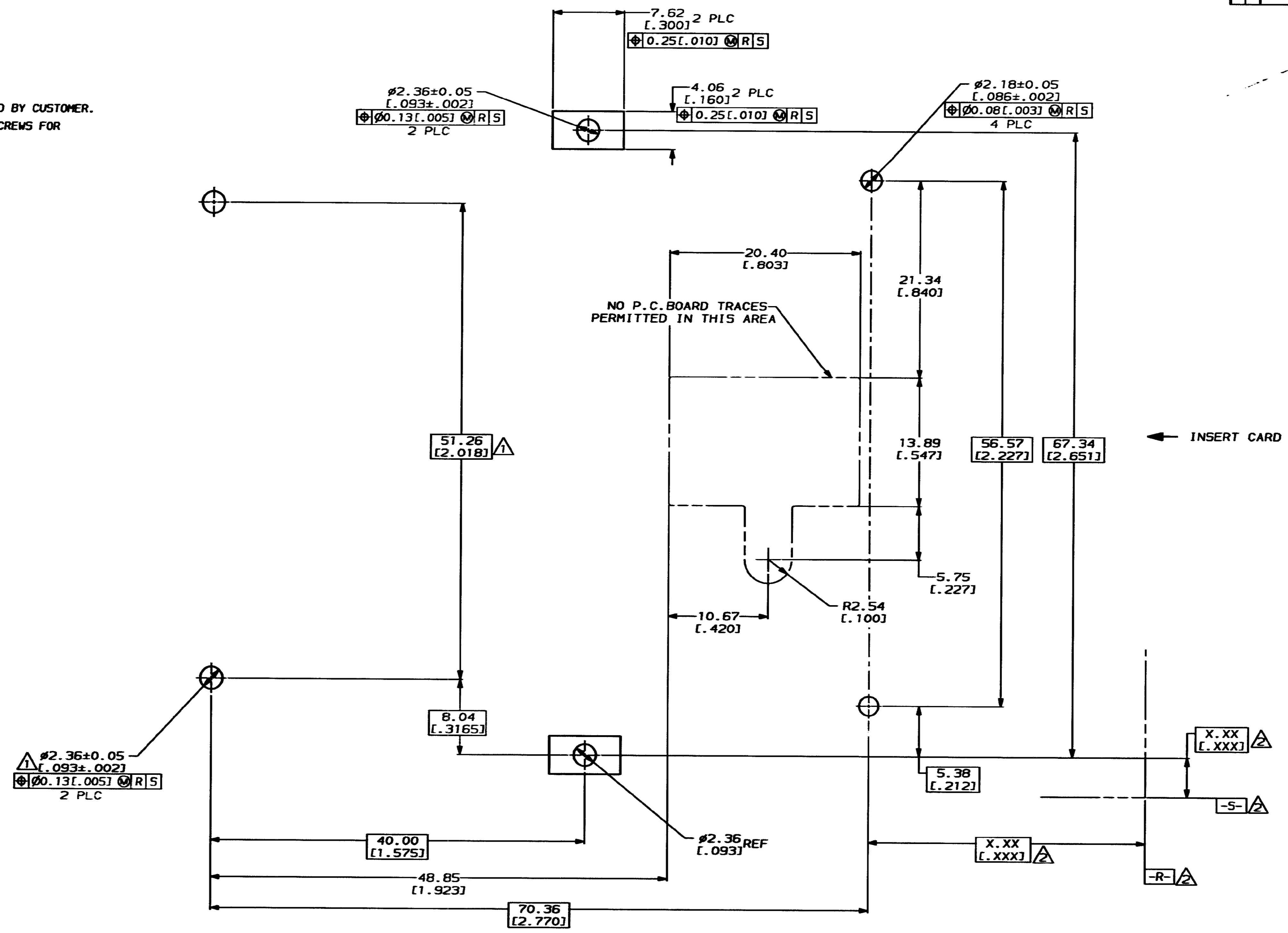
AMP Incorporated		Harrisburg, PA 17105-3608	
NAME			
ASSEMBLY, EJECTOR, LEFT BUTTON, AMP MEMORY CARD			
SIZE	CAGE CODE	DRAWING NO	
D	00779	C-146019	
SCALE	4:1		SHEET 1 OF 2

146019-1
PART NO

CUSTOMER DRAWING

REVISIONS				DATE	APPD
LOC	DISY	ZONE	LTR	DESCRIPTION	
AD	39			0 SEE SHEET ONE	

- ▲ HEADER MOUNTING HOLE LOCATIONS
- ▲ DATUMS & BASIC DIMENSIONS ESTABLISHED BY CUSTOMER.
- 3. ASSEMBLY REQUIRES USE OF 2-SIZE 2M SCREWS FOR FASTENING TO PRINTED CIRCUIT BOARD.



RECOMMENDED BOARD LAYOUT

THIS DRAWING IS A CONTROLLED DOCUMENT FOR AMP INCORPORATED. IT IS SUBJECT TO CHANGE AND THE CONTROLLING ENGINEERING ORGANIZATION SHOULD BE CONTACTED FOR THE LATEST REVISION.

DO NOT SCALE PRINT. UNLESS SPECIFIED DIMENSIONS IN INCHES TOLERANCES ON: 2 PLC DEC ± 0.13 [0.005] 3 PLC DEC ± - ANGLES ± -		DR 7/1/93 J MOSER		PART NO	
MATERIAL		CHK 7/1/93 B ELICKER		AMP Incorporated Harrisburg, PA 17105-3608	
FINISH		APPD 7/1/93 B ELICKER		NAME	
		PRODUCT SPEC		ASSEMBLY, EJECTOR, LEFT BUTTON, AMP MEMORY CARD	
		APPLICATION SPEC		SIZE D	CASE CODE 00779
		WEIGHT		DRAWING NO C-146019	
				SCALE 4:1	SHEET 20F2